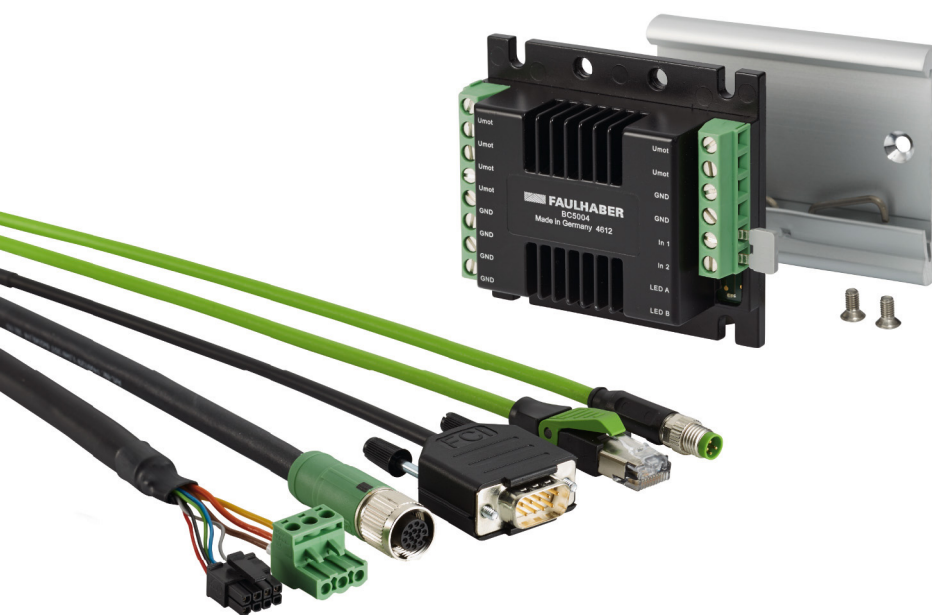


Accessories Manual

Motion Control

MC 5010	MCS
MC 5005	MC3001
MC 5004	MC3603
MC 5004 P STO	IMC



Imprint

Version:
10th edition, 2.02.2024

Copyright
by Dr. Fritz Faulhaber GmbH & Co. KG
Faulhaberstraße 1 · 71101 Schönaich

All rights reserved, including those to the translation.
No part of this description may be duplicated, reproduced,
stored in an information system or processed or
transferred in any other form without prior express written
permission of Dr. Fritz Faulhaber GmbH & Co. KG.

This document has been prepared with care.
Dr. Fritz Faulhaber GmbH & Co. KG cannot accept any
liability for any errors in this document or for the
consequences of such errors. Equally, no liability can be
accepted for direct or consequential damages resulting
from improper use of the equipment.

The relevant regulations regarding safety engineering
and interference suppression as well as the requirements
specified in this document are to be noted and followed
when using the software.

Subject to change without notice.

The respective current version of this technical manual is
available on FAULHABER's internet site:
www.faulhaber.com

Content

1	About this document	6
1.1	Validity of this document	6
1.2	Associated documents	6
1.3	Symbols and designations	6
1.4	List of abbreviations	7
2	Safety	9
2.1	Safety instructions	9
2.2	EC directives on product safety	9
3	Accessory products	10
3.1	Connection cable	10
3.2	Combinatorics connection cable/adapter MC 50xx	14
3.2.1	Series CR/CXR DC-Motors.....	14
3.2.2	Series SR DC-Motors.....	14
3.2.3	BL motors series B/BHS.....	15
3.2.4	BL motors series BX4.....	15
3.2.5	BL motors series BP4	16
3.2.5.1	3274...BP4	16
3.2.5.2	2264...BP4	16
3.2.6	BL motors series BHx.....	17
3.2.7	BL motors series BXT.....	17
3.2.8	BL motors series 4490	18
3.2.9	BL motors series LM	18
3.3	Combinatorics connection cable/adapter MC 3001 / MC 3601	19
3.3.1	Series CR/CXR DC-Motors.....	19
3.3.2	BL motors series B/BHS.....	19
3.3.3	BL motors series BX4.....	20
3.3.4	Series LM DC-Motors.....	21
3.3.5	Series S/SR DC-Motors	21
3.3.6	BL motors series BXT.....	21
3.4	Explanation of the special numbers	22
3.5	Pin assignment of the connection cables	25
3.5.1	MC 50xx cable, USB 2.0 connectors A-MINI B.....	25
3.5.2	MC 50xx cable, V3.0-RS232	25
3.5.3	MC 50xx cable, V3.0-CANopen	25
3.5.4	MC 50xx cable, V3.0-EtherCAT, RJ45-RJ45.....	26
3.5.5	MC 5004 ribbon cable, V3.0-EtherCAT, DIN-DIN (circuit board connection)	26
3.5.6	MC 5004 ribbon cable, V3.0-EtherCAT, DIN-DIN (motherboard connection)	26
3.5.7	MC 5004 cable, EtherCAT, V3.0-connectors RJ45-RJ45 straight (circuit board connection)	27
3.5.8	MC 50xx cable, V3.0-DC supply	27
3.5.9	MC 5010 cable, V3.0-BL phase (3274...BP4/4490...B/BS).....	27
3.5.10	MC 5010 cable, V3.0-3274...BP4 Hall	27
3.5.11	MC 50xx cable, V3.0-BL Hall sensors + phases	28
3.5.12	MC 50xx cable, V3.0-BX4 AES	28

Content

3.5.13	Adapter cable HEDS	28
3.5.14	MC 50xx cable, V3.0-IE3, IE2, IEH2, IER3, IERS3, HEDS	29
3.5.15	MC 50xx cable, V3.0 - IEH3	29
3.5.16	MC 50xx cable, AEMTL V3.0 battery adapter	29
3.5.17	MC 50xx cable, V3.0-AEMTL	30
3.5.18	MC 50xx cable, V3.0-IE3L, IER3L, HEDL, AESL	30
3.5.19	MC50xx cable, V3.0-BHx Hall + IEM3	30
3.5.20	MC50xx cable, V3.0-BHx phases	31
3.5.21	MC50xx cable, V3.0-BX4 phases	31
3.5.22	MC 50xx cable, V3.0-LM motor	31
3.5.23	MCS cable, EtherCAT, connectors M8-M8	31
3.5.24	MCS cable, EtherCAT, connectors M8-RJ45	32
3.5.25	MCS supply cable, connectors M12, 4-pin	32
3.5.26	MCS I/O cable, connectors M12, 12-pin	33
3.5.27	MC 3001 / MC 3603 cable, V3.0-BL Hall sensors + phases	33
3.5.28	MC 3001 / MC 3603 cable, V3.0-DC	33
3.5.29	MC 3001 / MC 3603 cable, V3.0 - IEH3L	34
3.6	Motherboards	35
3.6.1	MC 5004 motherboard MB4, vertical connector	35
3.6.2	MC 5004 motherboard MB4, horizontal connector	35
3.6.3	MC 5004 STO motherboard MB1, vertical connector	35
3.6.4	MC 3001 STD motherboard, vertical connector	36
3.6.5	MC 3001 DC IE(H)2 IEH3(L) motherboard, vertical connector	36
3.6.6	MC 3001 DC IE(R)(RS)3(L) motherboard, vertical connector	36
3.6.7	MC 3001 DC PA2-100 motherboard, vertical connector	37
3.6.8	MC 3001 BL AESM IEM3 motherboard, vertical connector	37
3.6.9	MC 3001 BL/DC PA2-50 HXM motherboard, vertical connector	37
3.7	Connector sets and other accessories	38
3.7.1	Connector sets	39
3.7.1.1	MC 50xx connector set, V3.0 - Supply side	39
3.7.1.2	MC 5005/5010 connector set, V3.0 - Motor side	39
3.7.1.3	MB4 MC 5004 motherboard connector set, V3.0 - Supply side	39
3.7.1.4	MB4 MC 5004 motherboard connector set, V3.0 - Controller	40
3.7.1.5	MB1 MC 5004 STO motherboard connector set, V3.0 - Motor and supply side	40
3.7.1.6	EFM 5001/5003/5008 connector set - Motor side	41
3.7.1.7	EFS 5004/3004 connector set - Supply side	41
3.7.1.8	MB1 MC 3001 / MC 3603 motherboard connector set, V3.0 - Motor and supply side	41
3.7.2	Other accessories	42
3.7.2.1	MC 5005/5010 top-hat rail installation set	42
3.7.2.2	MC 3603 DIN rail mounting set	42
3.7.2.3	MC 50xx encoder adapter set	42
3.7.2.4	MCS programming adapter, RS232/CAN	42
3.7.2.5	MCS programming adapter, USB	43
3.7.2.6	IMC programming adapter, RS232/CAN	43
3.7.2.7	IMC programming adapter, USB	43
3.7.2.8	Supply filter	43
3.7.2.9	Motor filter	43

Content

3.7.2.10 MC 50xx / MC 3001 / MC 3603 battery adapter, V3.0 - AEMTL.....	44
3.7.2.11 BC 5004 braking chopper	44
4 Troubleshooting	45
5 Warranty	46

About this document

1 About this document

1.1 Validity of this document

This document describes:

- Technical data of accessories
- Purpose of accessories
- Dimensions of accessories

This document is intended for use by trained experts authorised to perform installation and electrical connection of the product.

All data in this document relate to the standard versions of the FAULHABER products. Changes relating to customer-specific versions can be found in the data sheet.

1.2 Associated documents

For certain actions during commissioning and operation of FAULHABER products additional information from the following manuals is useful:

Manual	Description
Device manuals	Instructions for installation and use of the respective FAULHABER Motion Controller


These manuals can be downloaded in pdf format from the web page www.faulhaber.com/manuals.



1.3 Symbols and designations

NOTICE!

Risk of damage.

- ▶ Measures for avoidance

 Instructions for understanding or optimizing the operational procedures

- ✓ Pre-requirement for a requested action
 1. First step for a requested action
 -  Result of a step
 2. Second step of a requested action
 -  Result of an action
- ▶ Request for a single-step action

About this document

1.4 List of abbreviations

Abbreviation	Meaning
AC	Alternating Current
AEMTL	Absolute multi turn encoder
AES	Absolute encoder
AGND	Analog Ground
AnIn	Analog input
BC	Braking chopper
BL	Brushless
CE marking	Graphical symbol indicating that product complies with EU law
CO	CANopen
COM	Communication Equipment
CAN	Controller Area Network
DC	Direct Current
DIN	Designation for round connectors
DigIn	Digital input
DigOut	Digital output
D-	USB data cable
D+	USB data cable
EGND	Electronic Ground
EMC	Electromagnetic compatibility
ET	EtherCAT (Ethernet for Control Automation Technology)
GND	Ground
Hall	Hall sensors
ID	USB-type identifier
I/O	Input/Output
LM	Linear Motor
MB1	Motherboard with one controller port (only in combination with MC 5004 STO)
MB4	Motherboard with four controller ports (only in combination with MC 5004 STO)
MC	Motion Controller
MCS	Motion Control System
Mot	Motor
M12	Metric ISO thread
n.c.	not connected
PC	Personal Computer
Pin	Pin assignment
RJ	Registered Jack (standardized female connector)
RS	Recommended Standard
RxD	Receive Data
STO	Safe Torque Off

About this document

Abbreviation	Meaning
TxD	Transmit data
U	Voltage
USB	Universal Serial Bus
V	Volt
VBUS	USB supply
V3.0 Controller	Controller version 3.0

2 Safety

2.1 Safety instructions

NOTICE!

Electrostatic discharges can damage the electronics.

- ▶ Wear conductive work clothes.
- ▶ Wear a grounded wristband.

NOTICE!

Inserting and withdrawing connectors while supply voltage is applied at the device can damage the electronics.

- ▶ Do not insert or withdraw connectors while supply voltage is applied at the device.

NOTICE!

When attaching accessories to the device, using the wrong tools can damage the device.

- ▶ Use appropriate tools.

2.2 EC directives on product safety

- ▶ The following EC directives on product safety must be observed.
- ▶ If the Motion Controller is being used outside the EU, international, national and regional directives must be also observed.

Machinery Directive (2006/42/EC)

The controllers with attached motor described in this accessories manual may be drive systems according to the Machinery Directive. They are therefore to be considered incomplete machines according to the Machinery Directive. Compliance is documented by the Declaration of Incorporation for the product and by the EC Declaration of the Conformity.

EMC Directive (2014/30/EU)

The directive concerning electromagnetic compatibility (EMC) applies to all electrical and electronic devices, installations and systems sold to an end user. In addition, CE marking can be undertaken for built-in components according to the EMC Directive. Conformity with the directive is documented in the Declaration of Conformity.

Applied standards

Various harmonized standards were applied to the products described in this accessories manual; these standards are documented in the EC Declaration of Conformity.

WEEE Directive (2012/19/EU)

The directive on the disposal of electrical and electronic devices prescribes the separate collection of old electrical and electronic devices. The products described in this accessories manual fall within the scope of this directive.

Accessory products

3 Accessory products

3.1 Connection cable

The MB4 motherboard or a suitable customer-specific controller environment must be used for connection of peripheral components to an MC 5004.

Tab. 1: MC 50xx, MC 3001 and MC 3603 connection cables

Article no.	Article designation	Cable length
6501.00224	MC 50xx cable, USB 2.0 connectors A-MINI B	1000 mm
6501.00268	MC 50xx cable, V3.0-RS232	300 mm
6501.00269	MC 50xx cable, V3.0-CAN	300 mm
6501.00274	MC 50xx cable, V3.0-EtherCAT, RJ45-RJ45	2000 mm
6501.00278	MC 5004 ribbon cable, V3.0-EtherCAT, DIN-DIN (circuit board connection)	100 mm
6501.00279	MC 5004 ribbon cable, V3.0-EtherCAT, DIN-DIN (motherboard connection)	250 mm
6501.00272	MC 5004 cable, EtherCAT, V3.0-connectors RJ45-RJ45 straight (circuit board connection)	200 mm
6501.00265	MC 50xx cable, V3.0-DC supply	2000 mm
6501.00262	MC 5010 cable, V3.0-BL phase (3274...BP4/4490...B/BS)	2000 mm
6501.00263	MC 5010 cable, V3.0-3274...BP4 Hall sensors	2000 mm
6501.00264	MC 50xx cable, V3.0-BL Hall sensors + phases	2000 mm
6501.00241	MC 50xx cable, V3.0-2264...BP4, BX4 AES	300 mm
6501.00275	Adapter cable for encoder HEDS	130 mm
6501.00267	MC 50xx / MC 3001 / MC 3603 cable, V3.0-IE3, IE2, IEH2, IER3, IERS3, HEDS	2000 mm
6501.00266	MC 50xx / MC 3001 / MC 3603 cable, V3.0 - IEH3	2000 mm
6501.00377	MC 50xx / MC 3001 / MC 3603 cable, V3.0-IE3L, IER3L, IERS3L, HEDL	2000 mm
6501.00327	MC 50xx cable, V3.0-BHx Hall sensors + IEM3	300 mm
6501.00328	MC 50xx cable, V3.0-BHx phases	300 mm
6501.00338	MC50xx cable, V3.0-BX4 phases	2000 mm
6501.00369	MC 50xx / MC 3001 / MC 3603 cable, AEMTL V3.0 battery adapter	150 mm
6501.00370	MC 50xx / MC 3001 / MC 3603 cable, V3.0-AEMTL	2000 mm
6501.00371	MC 30xx / MC36xx cable, V3.0-BL Hall sensors + phases	2000 mm
6501.00372	MC 30xx / MC 36xx cable, V3.0-DC	2000 mm
6501.00373	MC 30xx / MC 36xx cable, V3.0-IEH3L	75 mm

Accessory products

Tab. 2: MCS connection cable

Article no.	Article designation	Cable length
6501.00270	MCS cable, EtherCAT, connectors M8-M8, straight	1500 mm
6501.00210	MCS cable, EtherCAT, connectors M8-M8, angled	1500 mm
6501.00271	MCS cable, EtherCAT, connectors M8-RJ45, straight	1500 mm
6501.00211	MCS cable, EtherCAT, connectors M8-RJ45, angled	1500 mm
6501.00255	MCS supply cable, connectors M12, 4-pin, straight	1500 mm
6501.00256	MCS supply cable, connectors M12, 4-pin, angled	1500 mm
6501.00257	MCS I/O cable, connectors M12, 12-pin, straight	1500 mm
6501.00258	MCS I/O cable, connectors M12, 12-pin, angled	1500 mm

Accessory products

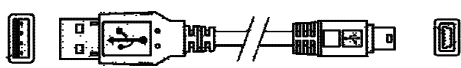
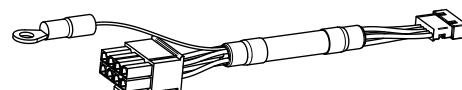
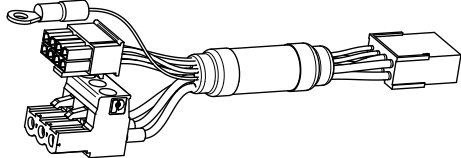
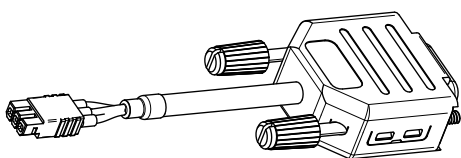
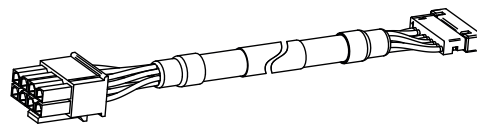
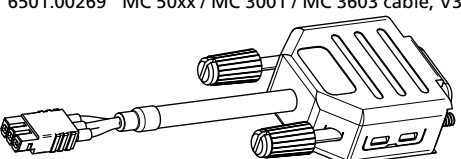
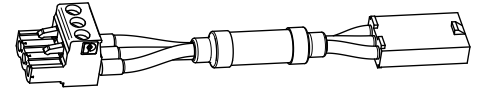

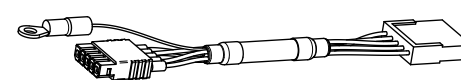

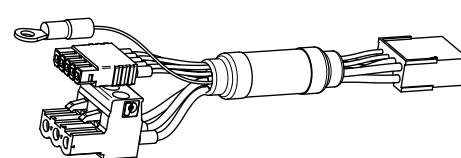
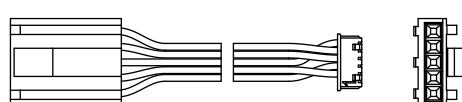
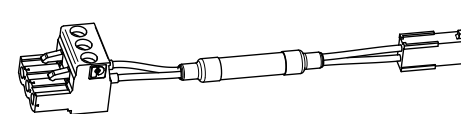
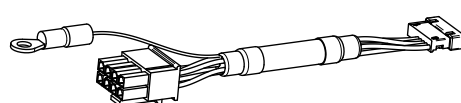

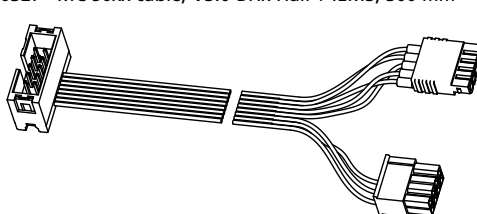
<p>6501.00224 MC 50xx cable, USB 2.0 connectors A-MINI B, 1000 mm</p> 	<p>6501.00267 MC 50xx / MC 3001 / MC 3603 cable, V3.0-IE3, IE2, IEH2, IER3, IER53, HEDS, 2000 mm</p> 
<p>6501.00241 MC 50xx cable, V3.0-BX4 AES, 300 mm</p> 	<p>6501.00268 MC 50xx cable, V3.0-R5232, 300 mm</p> 
<p>6501.00377 MC 50xx / MC 3001 / MC 3603 cable, V3.0-IE3L, IER3L, HEDL, AESL 2000 mm</p> 	<p>6501.00269 MC 50xx / MC 3001 / MC 3603 cable, V3.0-CANopen, 300 mm</p> 
<p>6501.00262 MC 5010 cable, V3.0-BL phase (3274...BP4/4490...B/BS), 2000 mm</p> 	<p>6501.00272 MC 5004 cable, EtherCAT, V3.0-connectors RJ45-RJ45 straight (circuit board connection), 200 mm</p> 
<p>6501.00263 MC 5010 cable, V3.0-3274...BP4 Hall, 2000 mm</p> 	<p>6501.00274 MC 50xx cable, V3.0-EtherCAT, RJ45-RJ45, 2000 mm</p> 
<p>6501.00264 MC 50xx cable, V3.0-BL Hall + phases, 2000 mm</p> 	<p>6501.00275 Adapter cable HEDS, 130 mm</p> 
<p>6501.00265 MC 50xx cable, V3.0-DC supply, 2000 mm</p> 	<p>6501.00266 MC 50xx / MC 3001 / MC 3603, V3.0-IEH3, 2000 mm</p> 
<p>6501.00278 MC 5004 ribbon cable, V3.0-EtherCAT, DIN-DIN (circuit board connection), 100 mm</p> <p>6501.00279 MC 5004 ribbon cable, V3.0-EtherCAT, DIN-DIN (motherboard connection), 250 mm</p> 	<p>6501.00327 MC 50xx cable, V3.0-BHx Hall + IEM3, 300 mm</p> 

Fig. 1: Connection cables overview

Accessory products

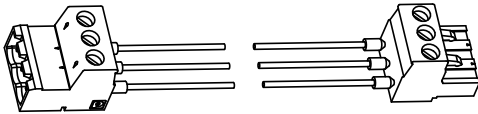
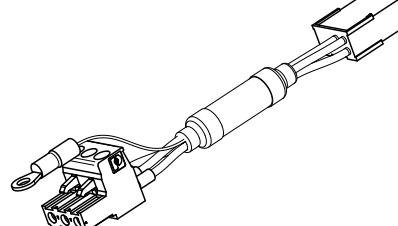
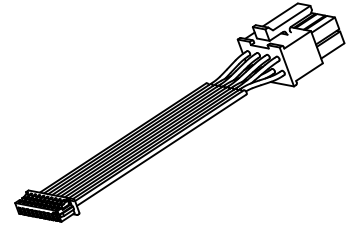
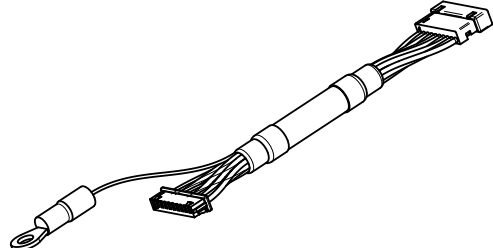
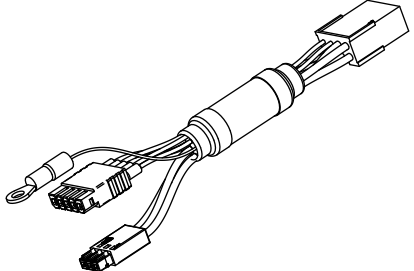
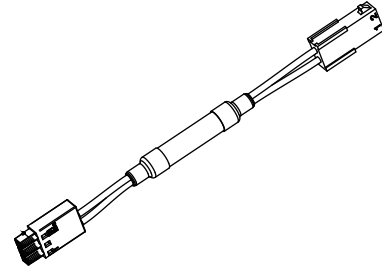
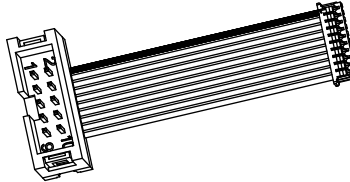
<p>6501.00328 MC 50xx cable, V3.0-BHx phases, 300 mm</p> 	<p>6501.00338 MC50xx cable, V3.0-BX4 phases, 2000 mm</p> 
<p>6501.00369 MC 50xx cable, V3.0-battery adapter AEMTL, 150 mm</p> 	<p>6501.00370 MC 50xx / MC 3001 / MC 3603 cable, V3.0-AEMTL, 2000 mm</p> 
<p>6501.00371 MC 30xx / MC36xx cable, V3.0-BL Hall sensors + phases, 2000 mm</p> 	<p>6501.00372 MC 30xx / MC 36xx cable, V3.0-DC supply, 2000 mm</p> 
<p>6501.00373 MC 30xx / MC 36xx cable, V3.0-IEH3L, 75 mm</p> 	

Fig. 2: Connection cables overview (continuation)

Accessory products


3.2 Combinatorics connection cable/adapter MC 50xx

3.2.1 Series CR/CXR DC-Motors

MC 50xx	IE2	IE3 / IER3 / IERS3	IE3L / IER3L / IERS3L	HEDS	HEDL
Option Motor:	5268	5268	5268	5268	5268
Option Encoder:	2655	3807	5418	Standard	5431
Connection cable					
6501.00265	x	x	x	x	x
6501.00267	x	x		x	
6501.00275				x	
6501.00377			x		x

3.2.2 Series SR DC-Motors

MC 50xx	IE2	IEH2	IEH3
Option Motor + Encoder:	2655	2655	Standard
Encoder multi-adapter			
6501.00323	x	x	x

 Details can be found in chap. 3.7.2.3, p. 42.

Accessory products

3.2.3 BL motors series B/BHS

MC 50xx	Analog Hall	IE2	IE3	IE3L	HEDS	HEDL
Option Motor:	K3141	K313 / K2971	K1838 / K2971	K1838 / K2971	K312 / K2971	K312 / K2971
Option Encoder:	–	2655	3807	5418	Standard	5431
Connection cable						
6501.00267		x	x		x	
6501.00377				x		x
6501.00264	x	x	x	x	x	x
6501.00275					x	
MC 50xx	AESL			AEMTL		
Option Motor:	on request			on request		
Option Encoder:	5418			5418		
Connection cable						
6501.00377		x				
6501.00369					x	
6501.00370					x	
Adapter						
6501.00368					x	

3.2.4 BL motors series BX4

MC 50xx	Analog Hall	IE3 / IER3 / IERS3	IE3L / IER3L / IERS3L	AES	AESL	AEMTL
Option Motor:	3692 / 3830	3592	5419	3830	5419	5419
Option Encoder:	–	3592	5419	–	5419	5419
Connection cable						
6501.00267		x				
6501.00377			x		x	
6501.00264	x	x	x			
6501.00241				x		
6501.00338					x	x
6501.00369						x
6501.00370						x
Adapter						
6501.00368						x

Accessory products

3.2.5 BL motors series BP4

3.2.5.1 3274...BP4

MC 50xx	Analog Hall	IE3 / IER3 / IERS3	IE3L / IER3L / IERS3L	AESL	AEMTL
Option Motor:	3692/5438	5438	5438	on request	on request
Option Encoder:	–	3807	5418	5418	5418
Connection cable					
6501.00267		x			
6501.00377			x	x	
6501.00262	x	x	x	x	x
6501.00263	x	x	x		
6501.00275					
6501.00369					x
6501.00370					x
Adapter					
6501.00368					x

3.2.5.2 2264...BP4

MC 50xx	Analog Hall	IE3 / IER3 / IERS3	IE3L / IER3L / IERS3L	AESL	AEMTL
Option Motor:	3692/3830	3830	3830	on request	on request
Option Encoder:	–	3807	5418	5418	5418
Connection cable					
6501.00267		x			
6501.00377			x		
6501.00262				x	x
6501.00264	x	x	x		
6501.00369					x
6501.00370					x
Adapter					
6501.00368					x

Accessory products

3.2.6 BL motors series BHx

MC 50xx	Phases	IEM3
Option Motor + Encoder:	K3682	K3682
Connection cable		
6501.00327		x
6501.00328	x	

3.2.7 BL motors series BXT

MC 50xx	Digital Hall	IE3/IER3/IE3S ^{a)}	IE3L/IER3L/IE3LS ^{a)}
Option Motor:	3830	3830	3830
Option Encoder:	–	3807	5418
Connection cable			
6501.00264	x	x	x
6501.00267		x	
6501.00377			x

a) only in combination with BXT H

Accessory products

3.2.8 BL motors series 4490

MC 50xx	Analog Hall	IE3	IE3L	HEDS	HEDL
Option Motor:	K3142	K1838 + K2972	K1838 + K2972	K312 + K2972	K312 + K2972
Option Encoder:	–	3807	5418	Standard	5431
Connection cable					
6501.00267		x		x	
6501.00377			x		x
6501.00262	x	x	x	x	x
6501.00263	x	x	x	x	x
6501.00275				x	

MC 50xx	AESL	AEMTL
Option Motor:	on request	on request
Option Encoder:	5418	5418
Connection cable		
6501.00377	x	
6501.00262	x	x
6501.00369		x
6501.00370		x
Adapter		
6501.00368		x

3.2.9 BL motors series LM

MC 50xx	Analog Hall	
Option Motor:	K3098 ^{a)}	K3113 ^{b)}
Connection cable		
6501.00264	x	x

a) Only in combination with LM1247-...-01, LM1483-...-01 or LM2070-...-01

b) Only in combination with LM1247-...-11 LM1483-...-11 or LM2070-...-11

Accessory products

3.3 Combinatorics connection cable/adapter MC 3001 / MC 3601

3.3.1 Series CR/CXR DC-Motors

MC 3001 / MC 3603	IE2	IE3/ IER3/ IERS3	IE3L/ IER3L/ IERS3L	HEDS	HEDL	IEH3	IEH3L
Option Motor:	5268	5268	5268	5268	5268	5268	
Option Encoder:	2655	3807	5418	Standard	5431	Standard	
Connection cable							
6501.00372	x	x	x	x	x	x	on request
6501.00267	x	x					
6501.00275				x			
6501.00377			x		x		
6501.00266						x	

Motherboard

- MC 3001 B/P: MB 6500.01802
- MC 3603 S: standard

3.3.2 BL motors series B/BHS

MC 3001 / MC 3603	Analog Hall	IE2	IE3	IE3L	HEDS	HEDL
Option Motor:	K3141	K3141	K3141	K3141	K3141	K3141
Option Encoder:	–	2655	3807	5418	Standard	5431
Connection cable						
6501.00267		x	x		x	
6501.00377				x		x
6501.00371	x	x	x	x	x	x
6501.00275					x	

Accessory products

MC 3001 / MC 3603	AESL	AEMTL	0620...B	0824...B/1824...B + AESM	0824...B/1824...B + IEM3
Option Motor:	on request	on request	on request	on request	on request
Option Encoder:	5418	5418			
Connection cable					
6501.00377	x				
6501.00369		x			
6501.00370		x			
Adapter + cable					
6501.00368		x			
6501.00369		x			

Motherboard

- MC 3001 B/P: MB 6500.01802
- MC 3603 S: standard

3.3.3 BL motors series BX4

MC 3001 / MC 3603	Analog Hall	IE3 / IER3 / IERS3	IE3L / IER3L / IERS3L	AES	AESL	AEMTL	
Option Motor:	3692 / 3830	3592	5419	on request	5419	5419	
Option Encoder:	–	3592	5419		5419	5419	
Connection cable							
6501.00267		x					
6501.00377			x		x		
6501.00371	x	x	x		x	x	
6501.00241							
6501.00370						x	
Adapter							
6501.00368					x		
6501.00369					x		

Motherboard

- MC 3001 B/P: MB 6500.01802
- MC 3603 S: standard

Accessory products

3.3.4 Series LM DC-Motors

MC 3001 / MC 3603	Analog Hall ^{a)}	Analog Hall ^{b)}
Option Motor:	on request	K3113
Option Encoder:		-
Connection cable		
6501.00371		x

a) Only in combination with LM0830...-01

b) Only in combination with LM1247-...-11 LM1483-...-11 or LM2070-...-11

Motherboard

- MC 3001 B/P: MB 6500.01802
- MC 3603 S: standard

3.3.5 Series S/SR DC-Motors

MC 3001 / MC 3603	IE2	IEH2	IEH3	IEH3L	HXM3 ^{a)}	PA2-50 ^{b)}	PA2-100 ^{c)}
Option Motor:							
Option Encoder:					on request		
Connection cable							

a) Only in combination with 0615...S

b) Only in combination with 0615...S/0816...SR

c) Only in combination with 0615...S/0816...SR 1016...SR/1024...SR/1224...SR

Motherboard

- MC 3001 B/P: MB 6500.01802
- MC 3603 S: standard

3.3.6 BL motors series BXT

MC 3001 / MC 3603	Digital Hall	IE3/IER3/ IERS3 ^{a)}	IE3L/IER3L/ IERS3L ^{a)}	IEF3 ^{a)}	IEF3L ^{a)}	AEMTL ^{a)}
Option Motor:	3830	3830	3830	3830	3830	
Option Encoder:	-	3807	5418	3807	5418	
Connection cable						on request
6501.00267		x		x		
6501.00377			x		x	
6501.00371	x	x	x	x	x	
6501.00370						

a) only in combination with BXT H

Motherboard

- MC 3001 B/P: MB 6500.01802
- MC 3603 S: standard

Accessory products

3.4 Explanation of the special numbers

Motor option for connecting to the MC V3.0 via extension cable

Special number	Field of application	Description	Cable length	Cross-section	Number of wires	Connector manufacturer	Connector
5268	CR/CXR	Single strands	Radial: 150 mm from motor middle Axial: 160 mm from cover	AWG 22	2	MOLEX	Connector: 43025-0200 Crimp: 43030-0008
2655	SR/CXR	Ribbon cable	150 mm	–	–	–	Special connector: RM 1.25 mm
3692	22xx...BX4 (without 2250...BX4 S) 32xx...BX4 2264/3274 BP4	Analog Hall sensors	–	–	–	–	–
3830	22xx...BX4 22xx...BX4 AES 22xx...BX4 CxD 32xx...BX4 32xx...BX4 AES 2264 BP4 2214...BXT R/H 3216...BXT R/H 4221...BXT R/H	Ribbon cables/ single strands	22xx...BX4: 175 mm 22xx...BX4 AES: 162 mm 22xx...BX4 CxD: 158 mm 32xx...BX4: 184 mm 32xx...BX4 AES: 170 mm 2264...BP4: 200 mm 22/32/42BXT: 300 mm	22BX4: AWG 26 32BX4: AWG 22 2264BP4: AWG 26/22 2214BXT: AWG 26 3216BXT: AWG 20/26 4221BXT: AWG 20/26	8	MOLEX	Connector: 43025-0800 Crimp: 43030-0007
5438	3274...BP4	Single strands	200 mm from motor middle	AWG 26/22	8	MOLEX	Motor: Connector: 39-01-4030 Crimp: 42750-1212 Sensors: Connector: 43654-0500 Crimp: 43030-0010
K3141	1226S...B 1628T...B 2036U...B 2057S...B/BHS 2444S...B 3056K...B 3564K...B	Single strands	300 mm	AWG 20-24 AWG 26-30	8	MOLEX	Connector: 43025-0800 Crimp: 43030-0007 Crimp: 43030-0010

Accessory products

Special number	Field of application	Description	Cable length	Cross-section	Number of wires	Connector manufacturer	Connector
K3142	4490H...B/BS	Single strands	300 mm from motor middle	AWG 16 AWG 26-30	Motor: 3 Sensor: 5	MOLEX	Motor: Connector: 39-01-4030 Crimp: 42750-3212 Sensors: Connector: 43654-0500 Crimp: 43030-0010
K1838	2444S...B 3056K...B 3564K...B 4490H...B/BS	Single strands, second shaft end for combination with IE3	–	–	–	–	–
K312	1628...B 2036...B 2057...B/BHS 2444...B 3056...B 3564...B 4490...B/BS	Single strands, second shaft end for combinations with HEDS/HEDL	–	–	–	–	–
K313	1628...B 2036...B 2057...B/BHS 2444...B	Single strands, second shaft end for combination with IE2	–	–	–	–	–
K2971	2036U...B 2057S...B/BHS 2444S...B 3056K...B 3564K...B	Single strands	300 mm from motor middle	Crimp: AWG 20-24 Crimp: AWG 26-30	Motor: 3 Sensor: 5	MOLEX	Connector: 43025-0800 Motor: Crimp: 43030-0007 Sensors: Crimp: 43030-0010
K2972	4490H...B/BS	Single strands	300 mm from motor middle	Crimp: AWG 16 Crimp: AWG 26-30	Motor: 3 Sensor: 5	MOLEX	Motor: Connector: 39-01-4030 Crimp: 45750-3212 Sensors: Connector: 43654-0500 Crimp: 43030-0010
K3098	Linear Motor LM1247...01 LM1483...01 LM2070...01	Single strands	200 mm	Crimp: AWG 20-24 Crimp: AWG 26-30	Motor: 3 Sensor: 5	MOLEX	Connector: 43025-0800 Motor: Crimp: 43030-0007 Sensors: Crimp: 43030-0010
K3113	1247...01 1483...01 2070...01	Single strands	250...261 mm	Crimp: AWG 26-30	Motor: 3 Sensor: 5	MOLEX	Connector: 43025-0800

Accessory products

Special number	Field of application	Description	Cable length	Cross-section	Number of wires	Connector manufacturer	Connector
K3682	1660...BHT 1660...BHS	Motor:					
		Single strands	300 mm	AWG 24	3	Phoenix	Connector: 1757022
		Sensors/encoders:					
		Ribbon cable	300 mm	AWG 28	Sensor: 5 Encoder: 3	Pancon	Connector: DIN 41651

Encoder option for connecting to the MC V3.0 via extension cable

Special number	Field of application	Description	Cable length	Cross-section	Number of wires	Connector manufacturer	Connector
2655	SR/CXR	Ribbon cable	150 mm	–	–	–	Special connector: RM 1.25 mm
3807	IE3/IER3/ERS3	Ribbon cable	–	AWG 28	6	PicoBlade	51021-0600
5418	IE3L/IER3L/ IERS3L/AESL/ AEMTL	Ribbon cable, not for use with BX4	155 mm from motor middle	AWG 28	10	MOLEX	Connector: 51021- 1000 Crimp: 50058-8000
5431	HEDL	Ribbon cable	150 mm from motor middle	AWG 28	10	MOLEX	Connector: 51021- 1000 Crimp: 50058-8000

Motor/encoder combination for connecting to the MC V3.0 via extension cable

Special number	Field of application	Description	Cable length	Cross-section	Number of wires	Connector manufacturer	Connector
3592	22xx...BX4 + IE3 32xx...BX4 + IE3	Ribbon cable	162/170 mm from motor middle	Motor: AWG 22/26 Encoder: AWG 28	Motor: 8 Encoder: 6	MOLEX	Motor: Connector: 43025- 0800 Crimp: 43030-0010 Encoder: Connector: 51021- 0600 Crimp: 50058-8000
5419	22xx...BX4 + IER3 L 32xx...BX4 + IER3 L 22xx/32xx...BX4 + AESL/AEMTL	Ribbon cable	22xx...BX4: 150 mm 32xx...BX4: 170 mm	Motor: 22xx...BX4: AWG 26 32xx...BX4: AWG22 Encoder: AWG 28	Motor: 8 Encoder: 10	MOLEX PicoBlade	Motor: Connector: 43025- 0800 Crimp: 43030-0010 Crimp: 43030-0007 Encoder: Connector: 51021- 1000 Crimp: 50058-8000

Accessory products

3.5 Pin assignment of the connection cables

3.5.1 MC 50xx cable, USB 2.0 connectors A-MINI B

6501.00224 MC 50xx cable, USB 2.0 connectors A-MINI B			
Function	Wire color	Controller X1	USB 2.0
VBUS	Red	Pin 1	Pin 1
D-	White	Pin 2	Pin 2
D+	Green	Pin 3	Pin 3
GND	Black	Pin 4	Pin 5
ID	not connected	not connected	Pin 4

3.5.2 MC 50xx cable, V3.0-RS232

6501.00268 MC 50xx cable, V3.0-RS232			
Function	Wire color	Controller X2	D-Sub
			Pin 1
RxD	Brown	Pin 2	Pin 2
TxD	Red	Pin 1	Pin 3
			Pin 4
GND	Black	Pin 3	Pin 5
			Pin 6
			Pin 7
			Pin 8
			Pin 9

3.5.3 MC 50xx cable, V3.0-CANopen

6501.00269 MC 50xx cable, V3.0-CANopen			
Function	Wire color	Controller X2	D-Sub
			Pin 1
CAN low	Brown	Pin 2	Pin 2
GND	Black	Pin 3	Pin 3
			Pin 4
			Pin 5
			Pin 6
CAN high	Red	Pin 1	Pin 7
			Pin 8
			Pin 9

Accessory products

3.5.4 MC 50xx cable, V3.0-EtherCAT, RJ45-RJ45

6501.00274 MC 50xx cable, V3.0-EtherCAT, RJ45-RJ45	
Function	IN / OUT
TxD+	Pin 1
TxD-	Pin 2
RxD+	Pin 3
	Pin 4
	Pin 5
RxD-	Pin 6
	Pin 7
	Pin 8

3.5.5 MC 5004 ribbon cable, V3.0-EtherCAT, DIN-DIN (circuit board connection)

6501.00278 MC 5004 ribbon cable, V3.0-EtherCAT, DIN-DIN (circuit board connection)	
Function	IN / OUT
TxD+	Pin 1
TxD-	Pin 2
RxD+	Pin 3
	Pin 4
	Pin 5
RxD-	Pin 6

3.5.6 MC 5004 ribbon cable, V3.0-EtherCAT, DIN-DIN (motherboard connection)

6501.00279 MC 5004 ribbon cable, V3.0-EtherCAT, DIN-DIN (motherboard connection)	
Function	IN / OUT
TxD+	Pin 1
TxD-	Pin 2
RxD+	Pin 3
	Pin 4
	Pin 5
RxD-	Pin 6

Accessory products

3.5.7 MC 5004 cable, EtherCAT, V3.0-connectors RJ45-RJ45 straight (circuit board connection)

6501.00272 MC 5004 cable, EtherCAT, V3.0-connectors RJ45-RJ45 straight (circuit board connection)	
Function	IN / OUT
TxD+	Pin 1
TxD-	Pin 2
RxD+	Pin 3
	Pin 4
	Pin 5
RxD-	Pin 6
	Pin 7
	Pin 8

3.5.8 MC 50xx cable, V3.0-DC supply

6501.00265 MC 50xx cable, V3.0-DC supply			
Function	Wire color	Controller M1	Motor
Motor +	Red	Pin 1	Pin 1
Motor –	Black	Pin 2	Pin 2
n.c.	-	Pin 3	

3.5.9 MC 5010 cable, V3.0-BL phase (3274...BP4/4490...B/BS)

6501.00262 MC 5010 cable, V3.0-BL phase (3274...BP4/4490...B/BS)			
Function	Wire color	Controller M1	Motor
Phase C	Black	Pin 3	Pin 1
Phase B	Green	Pin 2	Pin 2
Phase A	White	Pin 1	Pin 3

3.5.10 MC 5010 cable, V3.0-3274...BP4 Hall

6501.00263 MC 5010 cable, V3.0-3274...BP4 Hall			
Function	Wire color	Controller M2	Sensors
GND	Black	Pin 2	Pin 1
U _{DD}	Red	Pin 1	Pin 2
Hall C	Yellow	Pin 5	Pin 3
Hall B	Orange	Pin 4	Pin 4
Hall A	Brown	Pin 3	Pin 5

Accessory products

3.5.11 MC 50xx cable, V3.0-BL Hall sensors + phases

6501.00264		MC 50xx cable, V3.0-BL Hall sensors + phases	
Function	Wire color	Controller M1	Motor/sensors
Phase C	Yellow	Pin 3	Pin 1
Phase B	Orange	Pin 2	Pin 2
Phase A	Brown	Pin 1	Pin 3

3.5.12 MC 50xx cable, V3.0-BX4 AES

6501.00241		MC 50xx cable, V3.0-BX4 AES		
Function	Wire color	Controller M3	Controller M1	Motor/Encoder
Phase C	Yellow		Pin 3	Pin 1
Phase B	Orange		Pin 2	Pin 2
Phase A	Brown		Pin 1	Pin 3
GND	Black	Pin 2		Pin 4
U _{DD}	Red	Pin 1		Pin 5
CLK	Gray	Pin 8		Pin 6
CS	Blue	Pin 4		Pin 7
DATA	Green	Pin 6		Pin 8

3.5.13 Adapter cable HEDS

6501.00275		Adapter cable HEDS	
Function	Wire color	6501.00267	Encoders
n.c.	-	Pin 1	
GND	Brown	Pin 3	Pin 1
Channel I	Gray	Pin 2	Pin 2
Channel A	Green	Pin 6	Pin 3
U _{DD}	Orange	Pin 4	Pin 4
Channel B	Blue	Pin 5	Pin 5

For use only in conjunction with cable 6501.00267 (see chap. 3.5.14, p. 29).

Accessory products

3.5.14 MC 50xx cable, V3.0-IE3, IE2, IEH2, IER3, IERS3, HEDS

6501.00267 MC 50xx cable, V3.0-IE3, IE2, IEH2, IER3, IERS3, HEDS			
Function	Wire color	Controller M3	Encoders
n.c.	-	-	Pin 1
Channel I	Yellow	Pin 8	Pin 2
GND	Black	Pin 2	Pin 3
U _{DD}	Red	Pin 1	Pin 4
Channel B	Orange	Pin 6	Pin 5
Channel A	Brown	Pin 4	Pin 6

Not for use in conjunction with SR motors.

3.5.15 MC 50xx cable, V3.0 - IEH3

6501.00266 MC 50xx cable, V3.0 - IEH3			
Function	Wire color	Controller M3	Encoders
n.c.			
GND	Black	Pin 2	Pin 4
U _{DD}	Red	Pin 1	Pin 5
Channel B	Orange	Pin 6	Pin 6
Channel A	Brown	Pin 4	Pin 7
Channel I	Yellow	Pin 8	Pin 8

Not for use in conjunction with SR motors.

3.5.16 MC 50xx cable, AEMTL V3.0 battery adapter

6501.00369 MC 50xx cable, AEMTL V3.0 battery adapter			
Function	Wire color	Controller M3	Encoders
n.c.	-	-	Pin 1
U _{DD}	-	Pin 1	Pin 2
GND	-	Pin 2	Pin 3
n.c.	-	-	Pin 10
\overline{CS}	-	Pin 3	Pin 4
CS	-	Pin 4	Pin 5
\overline{DATA}	-	Pin 5	Pin 6
DATA	-	Pin 6	Pin 7
\overline{CLK}	-	Pin 7	Pin 8
CLK	-	Pin 8	Pin 9

Accessory products

3.5.17 MC 50xx cable, V3.0-AEMTL

6501.00370 MC 50xx cable, V3.0-AEMTL			
Function	Wire color	Controller M3	Encoders
Preset	Black	Pin 1	Pin 1
U _{DD}	Red	Pin 2	Pin 2
GND	Blue	Pin 3	Pin 3
U _{bat}	Violet	Pin 4	Pin 4
n.c.	White	Pin 5	Pin 5
n.c.	Brown	Pin 6	Pin 6
$\overline{\text{DATA}}$	Gray	Pin 7	Pin 7
DATA	Pink	Pin 8	Pin 8
$\overline{\text{CLK}}$	Green	Pin 9	Pin 9
CLK	Yellow	Pin 10	Pin 10

3.5.18 MC 50xx cable, V3.0-IE3L, IER3L, HEDL, AESL

6501.00377 MC50xx cable, V3.0-IE3L, IER3L, HEDL, AESL			
Function	Wire color	Controller M3	Motor/Encoder
n.c.	-	-	Pin 1
U _{DD}	Red	Pin 1	Pin 2
GND	Black	Pin 2	Pin 3
n.c.	-	-	Pin 4
$\overline{\text{Channel A}}, \overline{\text{CS}}$	Green	Pin 3	Pin 5
Channel A, CS	Brown	Pin 4	Pin 6
$\overline{\text{Channel B}}, \overline{\text{DATA}}$	Blue	Pin 5	Pin 7
Channel B, DATA	Orange	Pin 6	Pin 8
$\overline{\text{Index}}, \overline{\text{CLK}}$	Violet	Pin 7	Pin 9
Index, CLK	Yellow	Pin 8	Pin 10

3.5.19 MC50xx cable, V3.0-BHx Hall + IEM3

6501.00327 MC 50xx cable, V3.0-BHx Hall + IEM3			
Function	Controller M2	Controller M3 Encoder	Encoder/sensors
GND	Pin 2		Pin 1
U _{DD}	Pin 1		Pin 2
Hall C	Pin 5		Pin 3
Hall B	Pin 4		Pin 4
Hall A	Pin 3		Pin 5
Channel B		Pin 6	Pin 6
Channel A		Pin 4	Pin 7
Channel I		Pin 8	Pin 8

Accessory products

3.5.20 MC50xx cable, V3.0-BHx phases

6501.00328		MC50xx cable, V3.0-BHx phases	
Function	Wire color	Controller M1	Motor
Phase C	Yellow	Pin 3	Pin 1
Phase B	Orange	Pin 2	Pin 2
Phase A	Brown	Pin 1	Pin 3

3.5.21 MC50xx cable, V3.0-BX4 phases

6501.00338		MC50xx cable, V3.0-BX4 phases	
Function	Wire color	Controller M1	Motor
Phase C	Brown	Pin 3	Pin 1
Phase B	Green	Pin 2	Pin 2
Phase A	White	Pin 1	Pin 3

3.5.22 MC 50xx cable, V3.0-LM motor

6501.00264		MC 50xx cable, V3.0-LM motor		
Function	Wire color	Controller M2	Controller M1	Motor/sensors
Phase C	Yellow		Pin 1	Pin 1
Phase B	Orange		Pin 2	Pin 2
Phase A	Brown		Pin 3	Pin 3
GND	Black	Pin 2		Pin 4
U _{DD}	Red	Pin 1		Pin 5
Hall C	Gray	Pin 5		Pin 6
Hall B	Blue	Pin 4		Pin 7
Hall A	Green	Pin 3		Pin 8

3.5.23 MCS cable, EtherCAT, connectors M8-M8

6501.00270 (straight)		MCS cable, EtherCAT, connectors M8-M8	
6501.00210 (angled)			
Function	IN / OUT		
TxD+	Pin 1		
RxD+	Pin 2		
TxD-	Pin 3		
RxD-	Pin 4		

Manufacturer's proof of origin:

6501.00270: Murr Elektronik, article 7000-89701-7910150

6501.00210: Murr Elektronik, article 7000-89771-7910150

Accessory products

3.5.24 MCS cable, EtherCAT, connectors M8-RJ45

6501.00271 (straight) MCS cable, EtherCAT, connectors M8-RJ45
 6501.00211 (angled)

Function	IN / OUT
TxD+	Pin 1
RxD+	Pin 2
TxD-	Pin 3
RxD-	Pin 4

Manufacturer's proof of origin:

6501.00271: Murr Elektronik, article 7000-89721-7910150

6501.00211: Murr Elektronik, article 7000-89781-7910150

3.5.25 MCS supply cable, connectors M12, 4-pin

6501.00255 (straight) MCS supply cable, connectors M12, 4-pin
 6501.00256 (angled)

Function	Wire color	MCS X1
GND	Brown	Pin 1
U _p	White	Pin 2
U _{mot}	Blue	Pin 3
EGND	Black	Pin 4

Manufacturer's proof of origin:

6501.00255: Phoenix Contact, article 1536285

6501.00256: Phoenix Contact, article 1536405

Accessory products

3.5.26 MCS I/O cable, connectors M12, 12-pin

6501.00257 (straight) MCS I/O connector, connectors M12, 12-pin		
6501.00258 (angled)		
Function	Wire color	MCS X2
GND	Brown	Pin 1
CAN_L / RxD	Blue	Pin 2
CAN_H / TxD	White	Pin 3
U _{DD}	Green	Pin 4
DigOut 1	Pink	Pin 5
DigOut 2	Yellow	Pin 6
DigIn 1	Black	Pin 7
DigIn 2	Gray	Pin 8
DigIn 3	Red	Pin 9
AnIn 1	Violet	Pin 10
AGND	Gray/pink	Pin 11
AnIn 2	Red/blue	Pin 12
EGND	-	Shielding

Manufacturer's proof of origin:

6501.00257: Phoenix Contact, article 1430129

6501.00258: Phoenix Contact, article 1430161

3.5.27 MC 3001 / MC 3603 cable, V3.0-BL Hall sensors + phases

6501.00371 MC3001 / MC 3603 cable, V3.0-BL Hall sensors + phases				
Function	Wire color	Controller M2	Controller M1	Motor/sensors
Phase C	Yellow		Pin 3	Pin 1
Phase B	Orange		Pin 2	Pin 2
Phase A	Brown		Pin 1	Pin 3
GND	Black	Pin 2		Pin 4
U _{DD}	Red	Pin 1		Pin 5
Hall C	Gray	Pin 5		Pin 6
Hall B	Blue	Pin 4		Pin 7
Hall A	Green	Pin 3		Pin 8

3.5.28 MC 3001 / MC 3603 cable, V3.0-DC

6501.00372 MC 3001 / MC 3603 cable, V3.0-DC			
Function	Wire color	Controller M1	Motor
Motor +	Red	Pin 1	Pin 1
Motor -	Black	Pin 2	Pin 2
n.c.	-	Pin 3	

Accessory products

3.5.29 MC 3001 / MC 3603 cable, V3.0 - IEH3L

6501.00373		MC 3001 / MC 3603 cable, V3.0 - IEH3L	
Function	Wire color	Motherboard M3/3	Motor/Encoder
Motor -	-	Pin 1	Pin 1
U _{DD}	-	Pin 2	Pin 2
GND	-	Pin 3	Pin 3
Motor +	-	Pin 4	Pin 4
$\overline{\text{Channel A}}$	-	Pin 5	Pin 5
Channel A	-	Pin 6	Pin 6
$\overline{\text{Channel B}}$	-	Pin 7	Pin 7
Channel B	-	Pin 8	Pin 8
$\overline{\text{Index I}}$	-	Pin 9	Pin 9
Index I	-	Pin 10	Pin 10

Accessory products

3.6 Motherboards

3.6.1 MC 5004 motherboard MB4, vertical connector

Article no.:

6500.01681

Function:

Basic module to accept and combine up to four MC 5004 Motion Controller circuit boards in multi-axis applications. Vertical orientation of the connectors, reduced wiring requirement.

Manufacturer's proof of origin:

Socket connectors at the controller connection slots: Fischer, article BL 6 50



Detailed descriptions of the connectors and connections can be found in the current version of the corresponding Technical Manual.

3.6.2 MC 5004 motherboard MB4, horizontal connector

Article no.:

6500.01676

Function:

Basic module to accept and combine up to four MC 5004 Motion Controller circuit boards in multi-axis applications. Horizontal orientation of the connectors, reduced wiring requirement.

Manufacturer's proof of origin:

Socket connectors at the controller connection slots: Fischer, article BL 6 50



Detailed descriptions of the connectors and connections can be found in the current version of the corresponding Technical Manual.

3.6.3 MC 5004 STO motherboard MB1, vertical connector

Article no.:

6500.01715

Function:

Basic module to accept and combine one MC 5004 STO Motion Controller circuit board in single-axis applications. Vertical orientation of the connectors, reduced wiring requirement.

Manufacturer's proof of origin:

Socket connectors at the controller connection slots: Fischer, article BL 6 50



Detailed descriptions of the connectors and connections can be found in the current version of the MC 5004 STO installation instructions.

Accessory products

3.6.4 MC 3001 STD motherboard, vertical connector

Article no.:

6500.01802

Function:

Basic module to combine FAULHABER BL/DC-motors including Hall sensors and/or encoders. Vertical orientation of the connectors, reduced wiring requirement.

Design:

See Product Application Note 189.



Detailed descriptions of the connectors and connections can be found in the current version of the corresponding Technical Manual.

3.6.5 MC 3001 DC IE(H)2 IEH3(L) motherboard, vertical connector

Article no.:

6500.01807

Function:

Basic module to combine FAULHABER DC-motors with encoders of types IE2, IEH2 or IEH3(L). Motor connections M+ and M- can be connected here either via connector M1 or, with combined cables, via connector M3. Vertical orientation of the connectors, reduced wiring requirement.

Design:

See Product Application Note 189.



Detailed descriptions of the connectors and connections can be found in the current version of the corresponding Technical Manual.

3.6.6 MC 3001 DC IE(R)(RS)3(L) motherboard, vertical connector

Article no.:

6500.01808

Function:

Basic module to combine FAULHABER DC-motors with encoders of types IE3(L), IER3(L) or IERS3(L). Vertical orientation of the connectors, reduced wiring requirement.

Design:

See Product Application Note 189.



Detailed descriptions of the connectors and connections can be found in the current version of the corresponding Technical Manual.

Accessory products

3.6.7 MC 3001 DC PA2-100 motherboard, vertical connector

Article no.:

6500.01809

Function:

Basic module to combine FAULHABER DC-motors with encoder of type PA2-100. Vertical orientation of the connectors, reduced wiring requirement.

Design:

See Product Application Note 189.



Detailed descriptions of the connectors and connections can be found in the current version of the corresponding Technical Manual.

3.6.8 MC 3001 BL AESM IEM3 motherboard, vertical connector

Article no.:

6500.01810

Function:

Basic module to combine FAULHABER 0824B- and 1028B-BL-motors with encoders of types AESM or IEM3. Vertical orientation of the connectors, reduced wiring requirement.

Design:

See Product Application Note 189.



Detailed descriptions of the connectors and connections can be found in the current version of the corresponding Technical Manual.

3.6.9 MC 3001 BL/DC PA2-50 HXM motherboard, vertical connector

Article no.:

6500.01811

Function:

Basic module to combine FAULHABER BL/DC-motors with encoders of types PA2-50 or HXM. Vertical orientation of the connectors, reduced wiring requirement.

Design:

See Product Application Note 189.



Detailed descriptions of the connectors and connections can be found in the current version of the corresponding Technical Manual.

Accessory products

3.7 Connector sets and other accessories

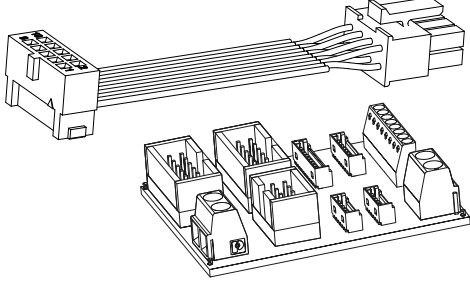
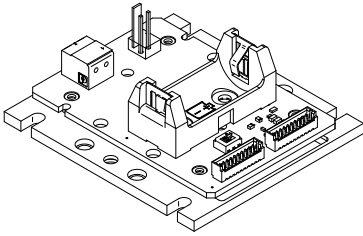
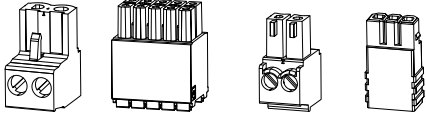
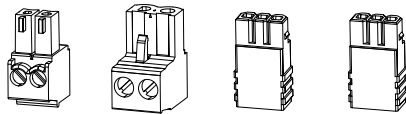
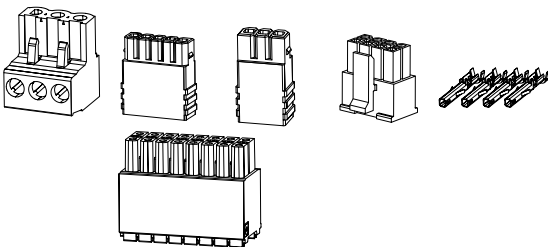
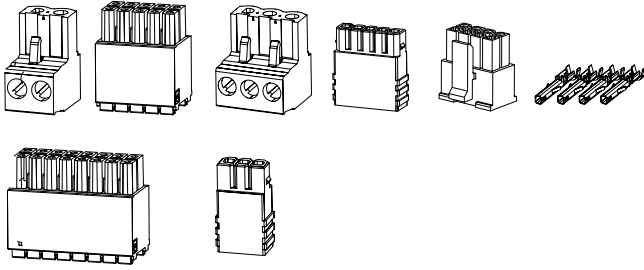
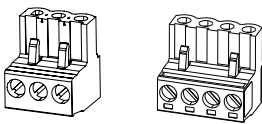
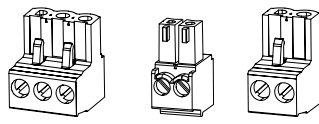
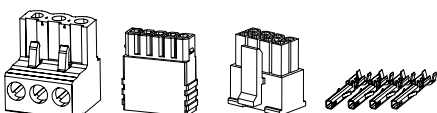
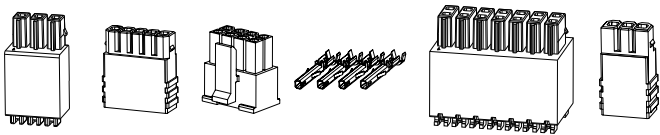
<p>6501.00323 Encoder adapter set MC 50xx / MC 3001 / MC 3603, V3.0</p> 	<p>6501.00368 Battery adapter MC 50xx / MC 3001 / MC 3603, V3.0 - AEMTL</p> 
<p>6501.00221 MC 5005/5010 connector set, V3.0 supply side</p> 	<p>6501.00234 MC 5004 motherboard MB4 connector set, V3.0 supply side</p> 
<p>6501.00276 MC 5004 motherboard MB4 connector set, V3.0 controller</p> 	<p>6501.00312 MC 5004 STO motherboard MB1 connector set, V3.0 motor and supply side</p> 
<p>6501.00359 connector set EFM5001/5003/5008 motor side</p> 	<p>6501.00360 connector set EFS 5004/3004 - supply side</p> 
<p>6501.00222 MC 5005/5010 connector set, V3.0 motor side</p> 	<p>6501.00362 Motherboard MB1 MC 3001 / MC 3603, V3.0 - motor and supply side</p> 

Fig. 3: Overview of connector and adapter sets

Accessory products

3.7.1 Connector sets

3.7.1.1 MC 50xx connector set, V3.0 - Supply side

6501.00221	MC 5005/5010 connector set, V3.0 - Supply side
X2	Communication
X3	I / O
X4	MC power supply
X5	Motor voltage supply

Manufacturer's proof of origin:

X2: Phoenix Contact, article 1778845

X3: Phoenix Contact, article 1790137

X4: Phoenix Contact, article 1840366

X5: Phoenix Contact, article 1754449

3.7.1.2 MC 5005/5010 connector set, V3.0 - Motor side

6501.00222	MC 5005/5010 connector set, V3.0 - Motor side
M1	Motor power supply
M2	Sensors
M3	Encoders

Manufacturer's proof of origin:

M1: Phoenix Contact, article 1754465

M2: Phoenix Contact, article 1778861

M3: Molex, article 43025-0800 (housing) + 43030-0010 (contacts)

3.7.1.3 MB4 MC 5004 motherboard connector set, V3.0 - Supply side

6501.00234	MB4 MC 5004 motherboard connector set, V3.0 - Supply side
COM	Communication
X4	Motherboard voltage supply
X5	Motor voltage supply

Manufacturer's proof of origin:

COM: Phoenix Contact, article 1778845

X4: Phoenix Contact, article 1840366

X5: Phoenix Contact, article 1754449

Accessory products

3.7.1.4 MB4 MC 5004 motherboard connector set, V3.0 - Controller

6501.00276	MB4 MC 5004 motherboard connector set, V3.0 - Controller
M1	Motor power supply
M2	Sensors
M3	Encoders
X2	Communication
X3	I/O

Manufacturer's proof of origin:

M1: Phoenix Contact, article 1754465

M2: Phoenix Contact, article 1778861

M3: Molex, article 43025-0800 (housing) + 43030-0010 (contacts)

X2: Phoenix Contact, article 1778845

X3: Phoenix Contact, article 1790166

3.7.1.5 MB1 MC 5004 STO motherboard connector set, V3.0 - Motor and supply side

6501.00312	MB1 MC 5004 STO motherboard connector set, V3.0 - Motor and supply side
M1	Motor power supply
M1_1	Combi-connection for motor phases and sensors
M2	Sensors
M3	Encoders
X2 / X2_1	Communication (RS232 / CAN)
X3	I/O
X5	Voltage supply for motor and controller
X6	STO

Manufacturer's proof of origin:

M1: Phoenix Contact, article 1754465

M1_1 / M3: Molex, article 43025-0800 (housing) + 43030-0010 (contacts)

M2: Phoenix Contact, article 1778861

X2 / X2_1: Phoenix Contact, article 1778845

X3: Phoenix Contact, article 1790140

X5: Phoenix Contact, article 1754449

X6: Phoenix Contact, article 1790124

Accessory products

3.7.1.6 EFM 5001/5003/5008 connector set - Motor side

6501.00359	EFM 5001/5003/5008 connector set - Motor side
M1	Motor supply (controller side)
M2	Motor supply (motor side)

Manufacturer's proof of origin:

M1: Phoenix Contact, article 1754481
 M2: Phoenix Contact, article 1754465

3.7.1.7 EFS 5004/3004 connector set - Supply side

6501.00360	EFS 5004/3004 connector set - Supply side
X1	Motor and MC supply (power supply side)
X2	MC voltage supply (controller side)
X3	Motor voltage supply (controller side)

Manufacturer's proof of origin:

X1: Phoenix Contact, article 1754465
 X2: Phoenix Contact, article 1840366
 X3: Phoenix Contact, article 1754449

3.7.1.8 MB1 MC 3001 / MC 3603 motherboard connector set, V3.0 - Motor and supply side

6501.00362	MB1 MC3001 / MC 3603 motherboard connector set, V3.0 - Motor and supply side (for MC 3001 with MB 6500.01802 or MC 3603)
M1	Motor power supply
M2	Sensors
M3	Encoders
X2	RS232/CAN communication (MC 3001)
X3	I/O + voltage supply (MC + motor)

Manufacturer's proof of origin:

M1: Phoenix Contact, article 1821106
 M2: Phoenix Contact, article 1778861
 M3: Molex, article 43025-0800 (housing) + 43030-0010 (contacts)
 X2: Phoenix Contact, article 1778845
 X3: Phoenix Contact, article 1844620

Accessory products

3.7.2 Other accessories

3.7.2.1 MC 5005/5010 top-hat rail installation set

Article no.:

6501.00223

Function:

Top-hat rail clip including 2 M3x6 screws for attaching the Motion Controller to the installation set. Comfortable installation aid for installing the Controller, e. g. in control cabinets.

3.7.2.2 MC 3603 DIN rail mounting set

Article no.:

6501.00375

Function:

Top-hat rail clips (2 pieces) including 2 screws for attaching the Motion Controller to the installation set. Comfortable installation aid for installing the Controller, e. g. in control cabinets.

3.7.2.3 MC 50xx encoder adapter set

6501.00323	MC 50xx encoder adapter set	
Function	Adapter X10	Controller M3
n.c.	Pin 1	
U_{DD}	Pin 2	Pin 1
GND	Pin 3	Pin 2
$\overline{\text{Channel A, CS}}$	Pin 4	Pin 3
Channel A, CS	Pin 5	Pin 4
$\overline{\text{Channel B, DATA}}$	Pin 6	Pin 5
Channel B, DATA	Pin 7	Pin 6
$\overline{\text{Index, CLK}}$	Pin 8	Pin 7
Index, CLK	Pin 9	Pin 8
n.c.	Pin 10	

Function:

Multi-functional adapter for connection of standard versions of various types of encoder to the MC 5005/5010 Motion Controller and/or the MB4 MC 5004 or MB1 MC 5004 STO motherboard.

3.7.2.4 MCS programming adapter, RS232/CAN

Article no.:

6501.00283

Function:

Interface adapter for parametrizing a Motion Control System via PC / Motion Manager 6.

Accessory products

3.7.2.5 MCS programming adapter, USB

Article no.:

6501.00284

Function:

Interface adapter for parametrizing a Motion Control System via PC / Motion Manager 6. Only in combination with interface variant RS232.

3.7.2.6 IMC programming adapter, RS232/CAN

Article no.:

6501.00391

Function:

Interface adapter for parametrizing a Motion Control System via PC / Motion Manager 7.

3.7.2.7 IMC programming adapter, USB

Article no.:

6501.00392

Function:

Interface adapter for parametrizing a Motion Control System via PC / Motion Manager 7. Only in combination with interface variant RS232.

3.7.2.8 Supply filter

Article no.	Supply filter
6501.00350	MC50xx/SC50xx, EFS 5004 S
6501.00367	MC3002/3006/SC1801/2402/2804, EFS 3004 S

Function:

These filters are special for applications that either cannot use the motor filter (e.g., integrated controllers) or in which the filtering by the ferrite-based motor filters is not sufficient.

3.7.2.9 Motor filter

Article no.	Motor filter
6501.00352	SC1801, EFM 5001 S
6501.00357	MC5004/5005/SC2402/2804/5004, EFM 5003 S
6501.00358	MC5005/5010/SC5004/5008, EFM 5008 S

Function:

These filters remove the PWM for the motors by means of DC mean value formation.

Article no.	Motor filter
6501.00351	MC3002/3003/3006/50xx/SC1801/2402/2804/5004/5008, EFC 5008 S

Function:

These filters reduce the rise time of the motor voltage/current and thereby reduce the high-frequency coupling currents on the shield.

Accessory products

3.7.2.10 MC 50xx / MC 3001 / MC 3603 battery adapter, V3.0 - AEMTL

Article no.:

6501.00368

Function:

If the power supply fails or is switched off, the AEMT-12/16 L multi-turn encoder automatically switches to a battery mode with greatly reduced energy consumption. In combination with a suitable backup battery, the battery adapter ensures that the multi-turn functionality of the encoder is temporarily maintained.

3.7.2.11 BC 5004 braking chopper

Article no.:

6501.00134

Function:

The function of the BC 5004 braking chopper is to limit the supply voltage at 4-quadrant controllers and other connected devices such as programmable adapters or power supply units.

4 Troubleshooting

If unexpected malfunctions occur during operation according to the intended use, please contact your support partner.

5 Warranty

Products of the company Dr. Fritz Faulhaber GmbH & Co. KG are produced using the most modern production methods and are subject to strict quality inspections. All sales and deliveries are performed exclusively on the basis of our General Conditions of Sale and Delivery which can be viewed on the FAULHABER home page www.faulhaber.com/gtc and downloaded from it.

